

3M™ Wiremount Socket

.125" × .125" Discrete Wire Version, 50 Position Backplane Connector



- Special holes secure shroud to back panel pins
- Optional keying strip 3439-5650 allows keying without pin loss
- Header side walls provide polarization
- Optional 3505-5 latch provides socket retention
- RoHS* compliant

Date Modified: January 11, 2007

TS-0099-12
Sheet 1 of 3

Physical

Insulation

Material: Glass Filled Polyester (PBT)

Flammability: UL 94V-0

Color: Gray

Contact

Material: Copper Alloy

Cover Retention Clip

Material: Stainless Steel

Plating:

Underplating and U-Slot: 100 μ" [2.54 μm] Nickel

Wiping Area: 30 μ" [0.76 μm] Gold

Wire Accommodation: 26 and 28 AWG Solid or Stranded

Marking: 3M Logo, Part Identification Number, and Orientation Triangle

Electrical

Current Rating: 1 A

Insulation Resistance: $> 1 \times 10^9 \Omega$ at 500 V_{DC}

Withstanding Voltage: 1000 V_{rms} at Sea Level

Environmental

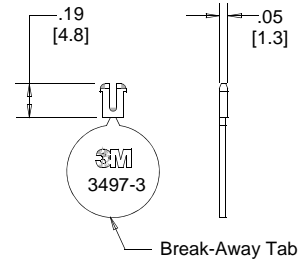
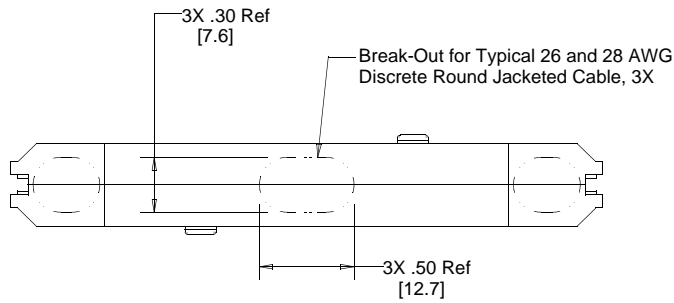
Temperature Rating: -55°C to +105°C

"RoHS compliant" means that the product or part does not contain any of the following substances in excess of the following maximum concentration values in any homogeneous material, unless the substance is in an application that is exempt under RoHS: (a) 0.1% (by weight) for lead, mercury, hexavalent chromium, polybrominated biphenyls or polybrominated diphenyl ethers; or (b) 0.01% (by weight) for cadmium. Unless otherwise stated by 3M in writing, this information represents 3M's knowledge and belief based upon information provided by third party suppliers to 3M.

UL File No.: E68080

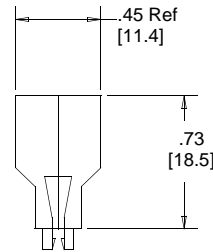
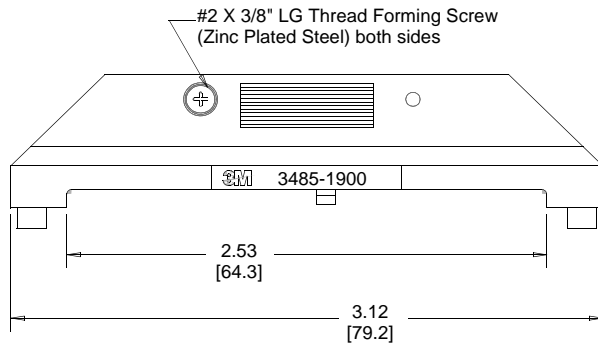
3M™ Wiremount Socket

.125" × .125" Discrete Wire Version, 50 Position Backplane Connector



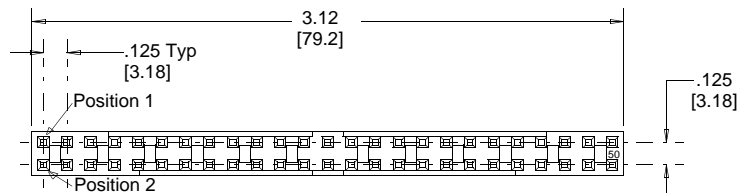
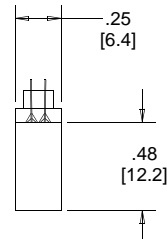
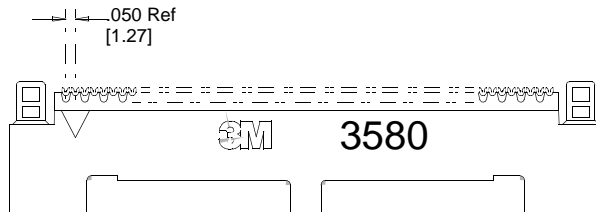
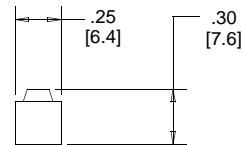
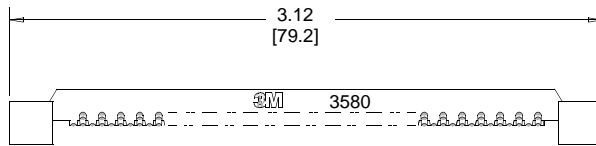
Optional Keying Plug 3M Part No. 3497-3

Material: Gray Polyester (PBT)



Optional Junction Shell 3M Part No. 3485-1900

Material: Gray Polyester (PBT)



Inch
[mm]

Tolerance Unless Noted			
	.0	.00	.000
inch	±.1	±.01	±.005

[] Dimensions for Reference Only



Ordering Information

Junction Shell
3485-1900

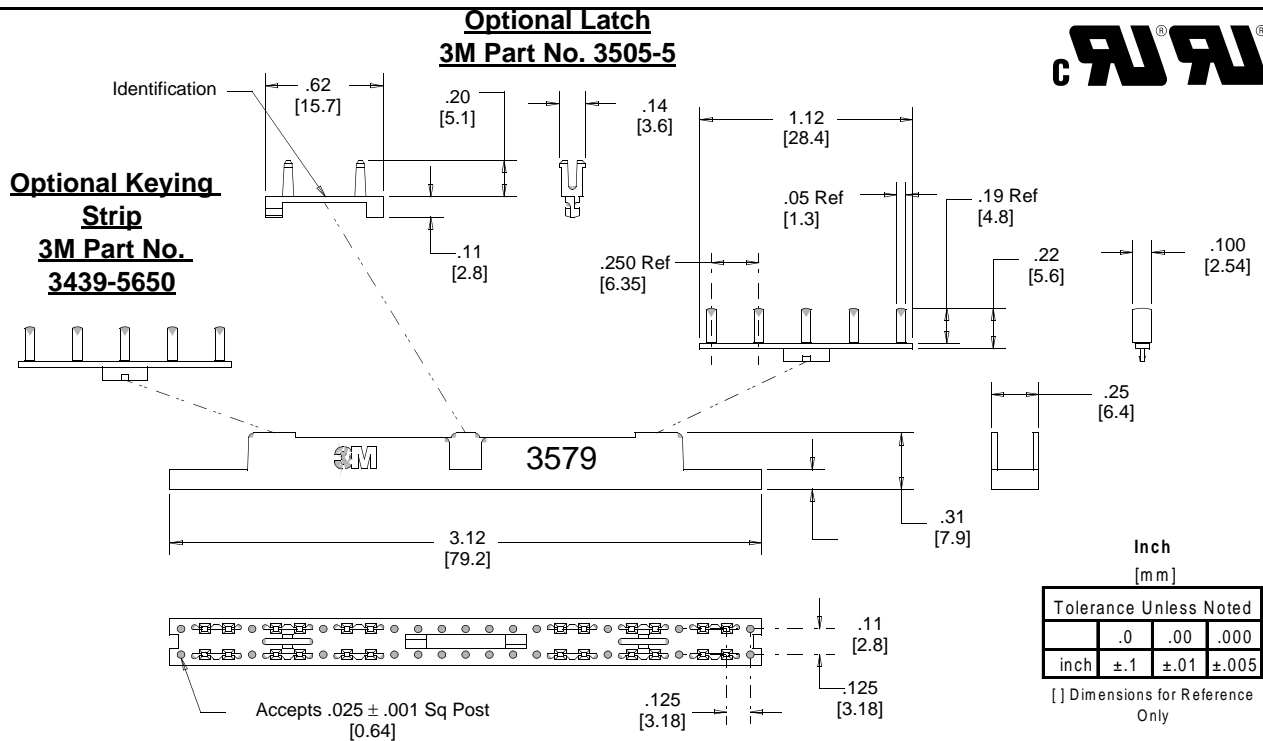
Socket
3580-1000

Keying Plug
3497-3

TS-0099-12
Sheet 2 of 3

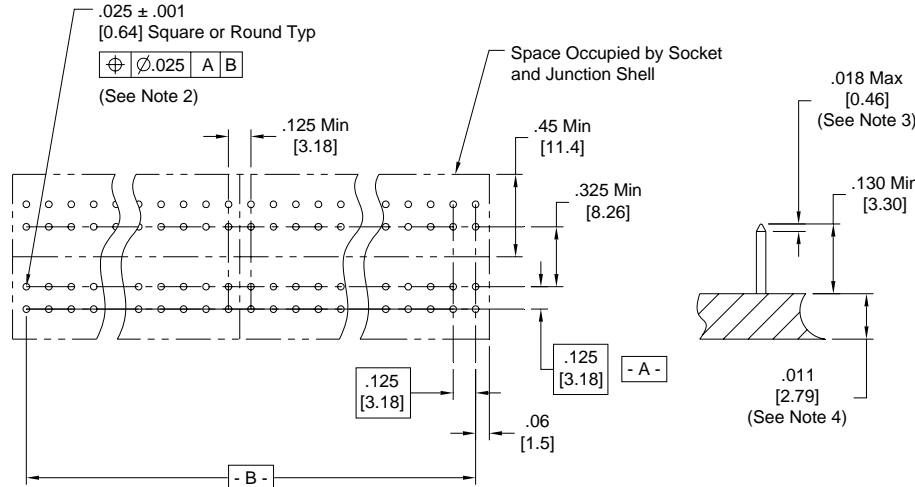
3M™ Wiremount Socket

.125" × .125" Discrete Wire Version, 50 Position Backplane Connector



Tolerance Unless Noted			
	.0	.00	.000
inch	±.1	±.01	±.005

[] Dimensions for Reference Only



- Notes:
1. Material: Gray Glass Filled Polyester. UL Flammability Rating UL94V-O.
 2. Measured at the tip.
 3. Tapered Pin Tip configuration recommended.
 4. Pinless Header base thickness

Ordering Information

Pinless Shroud
3579-0XX0

Keying Strip
3439-5650

Latch
3505-5

Latch Options:
0 = without Latch
1 = with Latch

Keying Strip Options:
0 = without Keying Strips
5 = with 2 Keying Strips

Important Notice

All statements, technical information, and recommendations related to 3M's products are based on information believed to be reliable, but the accuracy or completeness is not guaranteed. Before using this product, you must evaluate it and determine if it is suitable for your intended application. You assume all risks and liability associated with such use. Any statements related to the product which are not contained in 3M's current publications, or any contrary statements contained on your purchase order shall have no force or effect unless expressly agreed upon, in writing, by an authorized officer of 3M.



3M Electronics

6801 River Place Blvd.
Austin, TX 78726-9000
800/225-5373
www.3M.com/electronics

Warranty; Limited Remedy; Limited Liability.

This product will be free from defects in material and manufacture for a period of one (1) year from the time of purchase. **3M MAKES NO OTHER WARRANTIES INCLUDING, BUT NOT LIMITED TO, ANY IMPLIED WARRANTY OF MERCHANTABILITY OR FITNESS FOR A PARTICULAR PURPOSE.** If this product is defective within the warranty period stated above, your exclusive remedy shall be, at 3M's option, to replace or repair the 3M product or refund the purchase price of the 3M product. **Except where prohibited by law, 3M will not be liable for any indirect, special, incidental or consequential loss or damage arising from this 3M product, regardless of the legal theory asserted.**



*Minimum 10%
Post-Consumer Fiber*

Printed in USA.

© 3M 2007